

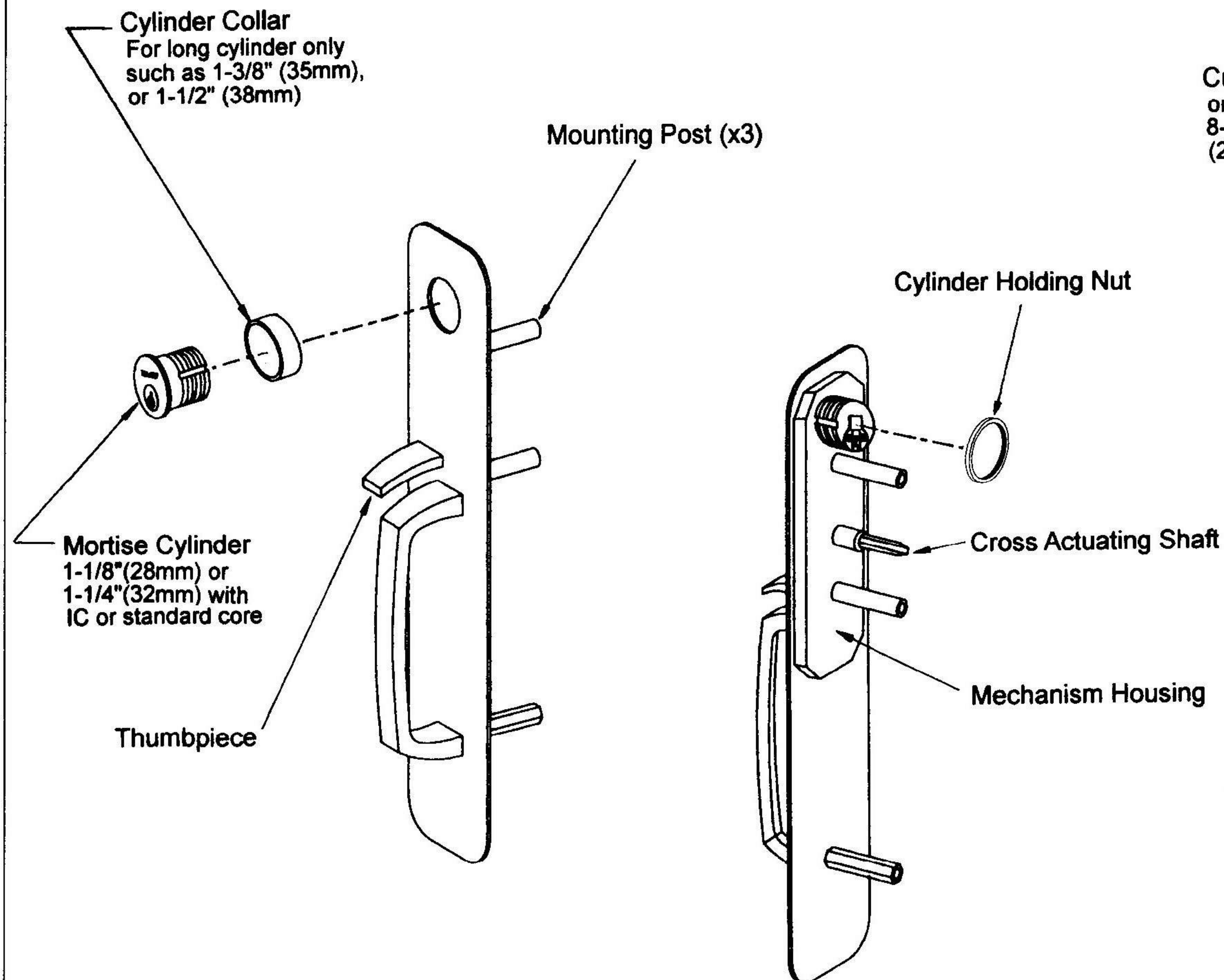
PULL PLATE w/THUMBPIECE INSTRUCTIONS

FOR USE WITH ANSI GRADE 1 WIDE STILE RIM OR SVR EXIT DEVICE

STEP A: INSTALL CYLINDER (SKIP TO STEP B FOR DUMMY TRIM)

1. Use template to mark cut-out location and mounting holes locations on door. If all holes have been drilled or cut, start to install cylinder first.
2. Install mortise cylinder through provided cylinder collar, then insert the cylinder through hole in pull plate w/thumbpiece.
3. Fasten mortise cylinder using provided cylinder holding nut as shown.

Note:
If use 1-1/8" or 1-1/4" cylinder length,
the cylinder collar is unnecessary.



STEP B: INSTALL PULL PLATE w/THUMBPIECE

1. Insert pull plate w/thumbpiece mechanism housing with three (3) mounting posts and the mortise cylinder through door.
2. Be sure to line up cross actuating shaft with cam located on back of device chassis, then insert it to the cam.
3. Fasten pull plate w/thumbpiece and exit device using the supplied three (3) mounting screws.

