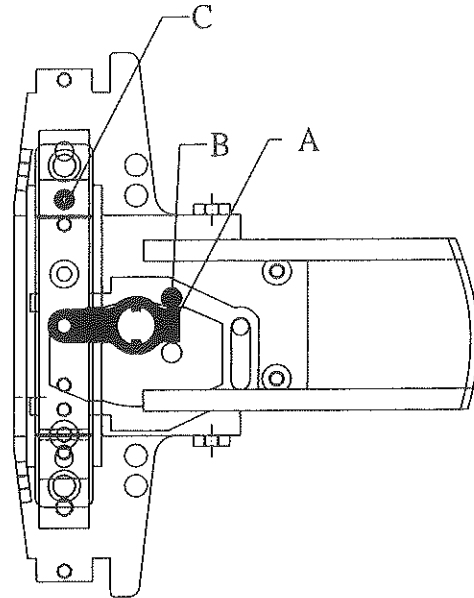


# SET DEVICE HANDING

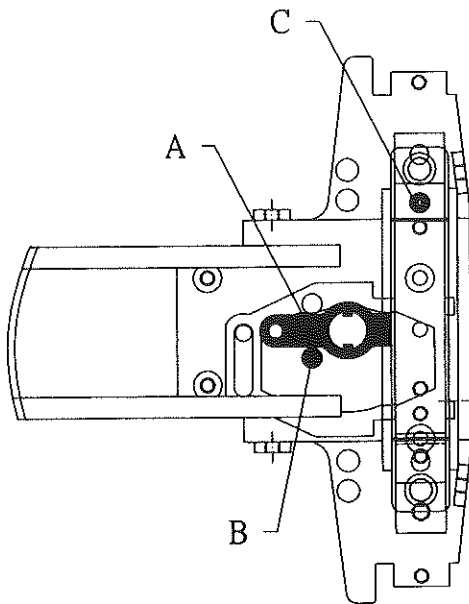
This Surface Vertical Rod device is pre-set for LHR door use, if the device is installed on RHR door, the following adjustment should be done before installation(see Fig. B).

## Install on LRH door shown

The device handing controller A is pre-set at this direction by factory.



**Fig. A**



**Fig. B**

## Install on RHR door shown

1. Turn the direction of the **device handing controller A** as shown.
2. The **holding screw B** is set on lower position.
3. Change **setting screws C** to upper site.