

GENERAL LOCK

— EXIT DEVICES —

INDEX:

ED2300 Series Exit Devices

Applications	E:1
Standard Features	E:1

ED2300 Series Exit Device Components

E:2

Trim	E:2
------------	-----

ED1000 Series Exit Devices

Applications	E:3
Standard Features	E:3

ED1000 Series Exit Device Components

E:4

How to Order - Nomenclature

Exit Devices	E:5
--------------------	-----

TERMS AND CONDITIONS:

Copyright: © 2011 General Lock LLC. All text, graphics, photographs, and any selection, coordination, and arrangement of such materials contained herein is copyrighted and owned by General Lock. No material from this catalog may be copied, reproduced, republished, uploaded, posted, transmitted, or distributed in any way unless permission has been expressly granted by General Lock and any reproduction of this catalog, in whole or in part, and/or any information or materials contained in it is prohibited without the express authorization of General Lock. General Lock is a trademark or registered trademark of General Lock. ANY MATERIALS OR INFORMATION PROVIDED BY GENERAL LOCK IN THIS CATALOG IS PROVIDED "AS IS" WITHOUT WARRANTY OF ANY KIND, EITHER EXPRESSED OR IMPLIED, INCLUDING, BUT NOT LIMITED TO, THE IMPLIED WARRANTIES OF MERCHANTABILITY, FITNESS FOR A PARTICULAR PURPOSE, OR NON-INFRINGEMENT. GENERAL LOCK ASSUMES NO RESPONSIBILITY FOR ERRORS OR OMISSIONS IN THIS CATALOG, OR OTHER PUBLICATION OR OTHER DOCUMENTS, WHICH ARE REFERENCED BY THIS PUBLICATION.

All other brand names or product names, including Arrow, Best, Corbin-Russwin, Falcon, Kwikset, KSP, Sargent, Schlage, Weiser, and Yale, referenced herein are trademarks, registered trademarks, service marks, or trade names of the respective manufacturers of such products and are owned by their respective holders.

General Lock reserves the right to make changes in designs and specifications, to make addition or improvements on its products or to discontinue products without incurring any obligation. General Lock is not responsible for modification, addition or alteration to our products by others. Products may not appear as shown.

General Lock warrants only to Buyer that the products will be free from defects in material and workmanship for a period of 12 months from the date of shipment of the products unless a longer period is specified. This warranty does not cover wear and tear and shall be ineffective and shall not apply to products that have been subjected to misuse or abuse, neglect, accident, damage, or improper installation, or maintenance. Buyer's sole and exclusive remedy under these warranties will be limited to, at General Lock's sole option and expense, refund of the purchase price of, or the repair or replacement for of, the products or parts thereof which General Lock reasonably determines do not conform with these warranties. Buyer will inspect the products upon delivery and will promptly notify General Lock in writing of any defect in the products.

DISCLAIMER OF WARRANTIES: THE FOREGOING WARRANTIES ARE EXCLUSIVE AND IN LIEU OF, AND GENERAL LOCK DISCLAIMS AND BUYER WAIVES, ALL OTHER WARRANTIES OF MERCHANTABILITY, FITNESS FOR A PARTICULAR PURPOSE AND OF ANY OTHER TYPE, WHETHER EXPRESS OR IMPLIED, ARISING BY LAW (STATUTORY OR OTHERWISE) AND WHETHER OR NOT OCCASIONED BY GENERAL LOCK'S NEGLIGENCE.

LIMITATION OF LIABILITY: IN NO EVENT SHALL GENERAL LOCK BE LIABLE FOR ANY SPECIAL, INCIDENTAL, INDIRECT, PUNITIVE, OR CONSEQUENTIAL DAMAGES, INCLUDING ANY DAMAGES OCCASIONED BY GENERAL LOCK'S NEGLIGENCE. IN ADDITION, GENERAL LOCK'S LIABILITY ON ANY CLAIMS FOR DAMAGES OR CLAIMS ARISING OUT OF OR CONNECTED WITH THIS AGREEMENT OR THE SALE, DELIVERY OR USE OF THE PRODUCTS SHALL NOT EXCEED THE PURCHASE PRICE OF THE PRODUCTS AND/OR SERVICES DELIVERED.

ED2300 Series Exit Devices

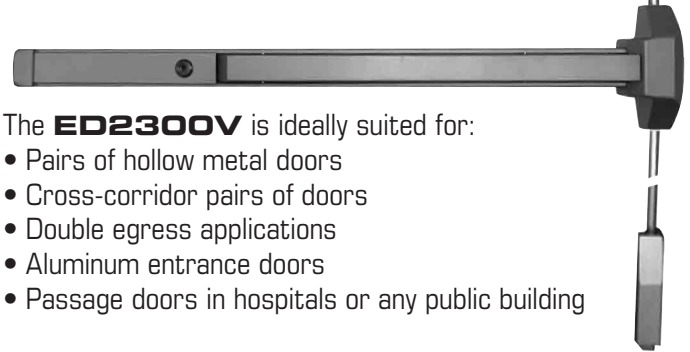
APPLICATIONS:

For use on a single door or double doors with or without mullion. Vertical rod (V) for use where two-point latching is desired. For 1-3/4" (44 mm) thick standard RHR or LHR hollow metal doors, and wood doors. Minimum stile width: 3-7/8" (98 mm) for rim device and 3-1/2" (89mm) for vertical rod. All devices and accessories are to be used on a 1-3/4" standard door.



The **ED2300R** is ideally suited for:

- Single exterior doors
- Single exit doors
- Pairs of Doors with Mullion
- Aluminum entrance doors
- Passage doors



The **ED2300V** is ideally suited for:

- Pairs of hollow metal doors
- Cross-corridor pairs of doors
- Double egress applications
- Aluminum entrance doors
- Passage doors in hospitals or any public building

STANDARD FEATURES:

CERTIFICATIONS: ANSI A156.3 Grade 1, UL Listed (ED2300R-P), UL Listed 3-hour (ED2300R-F)



SIZES: 36" and 48"

HANDING: Non-handed

STRIKES: Panic rim device furnished with roller strike & strike shim. Fire rim device furnished with roller strike only. Vertical rod device furnished with top and bottom strikes.

LATCHBOLT: 11/16" throw and 5/8" dead locking latch for Panic Rim and Fire Rim device. 1/2" throw top and bottom bolt for Vertical Rod Device.

DOGGING: 3/16" hex key dogging. No dogging on fire-rated devices.

CYLINDER: Rim cylinder sold separately.

TRIM: Trim sold separately

MATERIALS: Housing, end cap, and push bar all steel. Chassis is plated steel. Head cover is a non-ferrous alloy.

MOUNTING HARDWARE: Machine screws, sex nuts and bolts

GENERAL LOCK

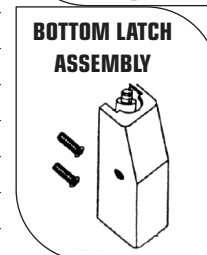
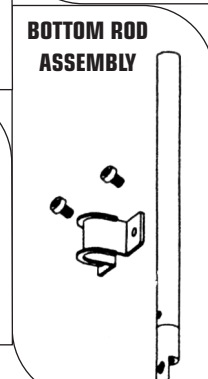
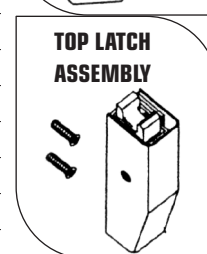
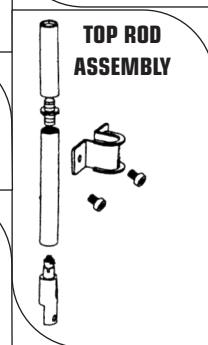
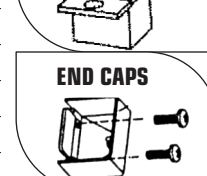
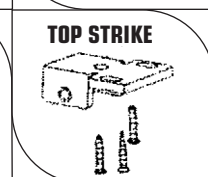
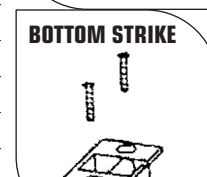
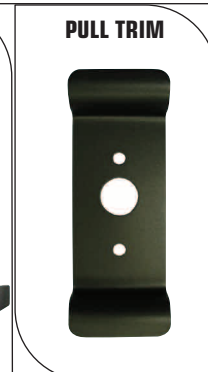
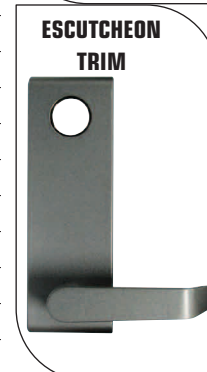
Quality & Value™

— Product Guide 105.0 — E:1

ED2300 Series Exit Device Components

ED2300 SERIES PARTS

Parts	Part Number
Key-in-lever Trims	
Classroom Function, SCH C Keyway KD, Satin Chrome	ED23T-KIL-CLS 626
Classroom Function, SCH C Keyway KD, Duronodic	ED23T-KIL-CLS 695
Rose, Storeroom Function, Satin Chrome	ED23T-KIL-NL 626
Rose, Storeroom Function, Duronodic	ED23T-KIL-NL 695
Escutcheon Trims	
Classroom Function, Satin Chrome	ED23T-LET-CLS 626
Classroom Function, Duronodic	ED23T-LET-CLS 695
Storeroom Function, Satin Chrome	ED23T-LET-NL 626
Storeroom Function, Duronodic	ED23T-LET-NL 695
Pulls Trims	
No Cylinder Hole, Aluminum	ED23T-P01 689
No Cylinder Hole, Duronodic	ED23T-P01 695
Night Latch, Less Cylinder, Aluminum	ED23T-P01-NL 689
Night Latch, Less Cylinder, Duronodic	ED23T-P01-NL 695
Roller Strike with Shim	
Roller Strike with Shim for ED2300 R-P	ED232-RP
Roller Strike for ED2300 R-F	ED233-RF
Strikes	
Rim Strike for Double Doors for ED2300R	ED S 237 689
Bottom for ED2300V	ED23-BOTTOM STRIKE
Top for ED2300V	ED23-TOP STRIKE
End Caps	
End Cap Set, Aluminum	ED23-ECS 689
End Cap Set, Duronodic	ED23-ECS 695
Extension Rod	
Extension Rod 12", Aluminum	ED23ER-12 689
Extension Rod 12", Duronodic	ED23ER-12 695
Latch Assemblies	
Bottom Latch Assembly, Aluminum	ED23-LBA 689
Bottom Latch Assembly, Duronodic	ED23-LBA 695
Top Latch Assembly, Aluminum	ED23-LTA 689
Top Latch Assembly, Duronodic	ED23-LTA 695
Rod Assemblies	
Bottom Rod Assembly, Aluminum	ED23-RBA 689
Bottom Rod Assembly, Duronodic	ED23-RBA 695
Top Rod Assembly 7'-8', Aluminum	ED23-RTA78 689
Top Rod Assembly 7'-8', Duronodic	ED23-RTA78 695
Sex Nuts & Bolts	
Sex Nuts & Bolts, Aluminum	ED23-SNB 689
Sex Nuts & Bolts, Duronodic	ED23-SNB 695



Narrow Stile ED1000 Series Exit Devices

APPLICATIONS:

The ED1000 series exit device encompasses quality & value. These exit devices are primarily intended for narrow stile aluminum glass doors. Available in rim and concealed vertical rod, the ED1000 series exit device is versatile and affordable.

The ED1000 is ideally suited for: schools and universities, healthcare facilities, government buildings, factories and warehouses, office and retail complexes, transportation facilities, hotels, conference centers, religious facilities, theaters, and auditoriums.

STANDARD FEATURES:

CERTIFICATIONS: UL Listed



SIZES: 48" can be field cut to suit exact length required

HANDING: Rim device is handed. CV device is reversible.

STRIKES: Rim device furnished with steel roller strike

DOGGING: Concealed screw

CYLINDER: Rim cylinder sold separately.

TRIM: Not included.

MATERIALS: Internal mechanism plated and stainless steel. Pushbar aluminum extrusion; heavy duty internal springs.

MOUNTING HARDWARE: Installation hardware included.



GENERAL LOCK

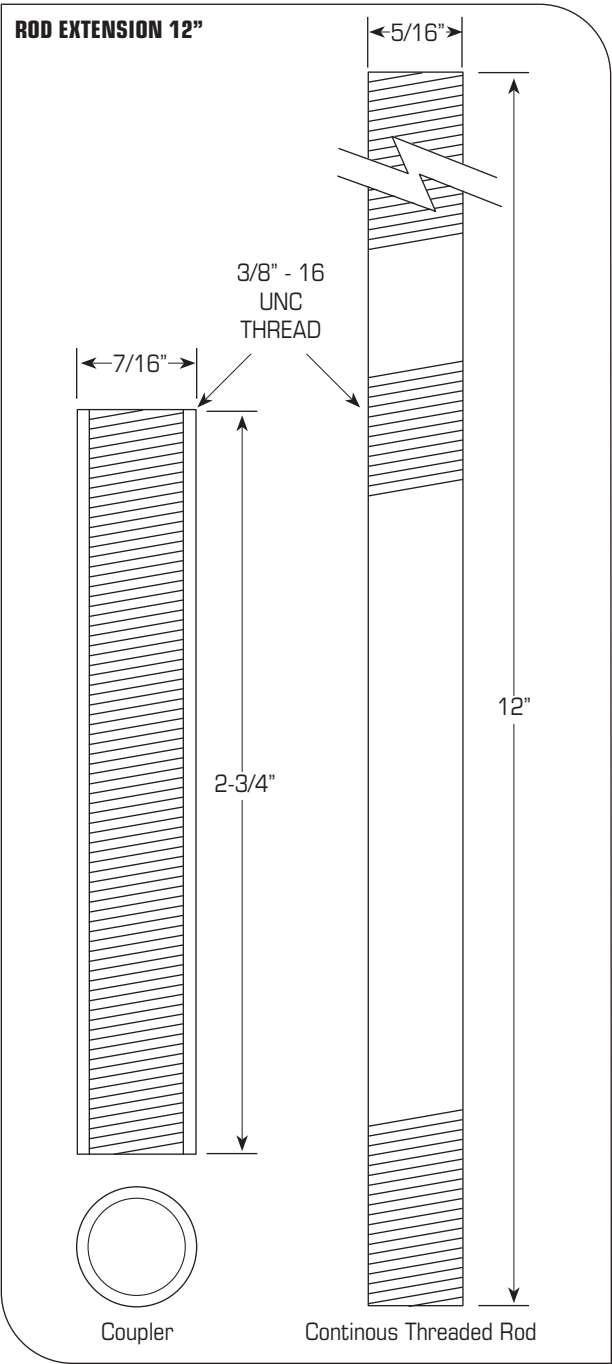
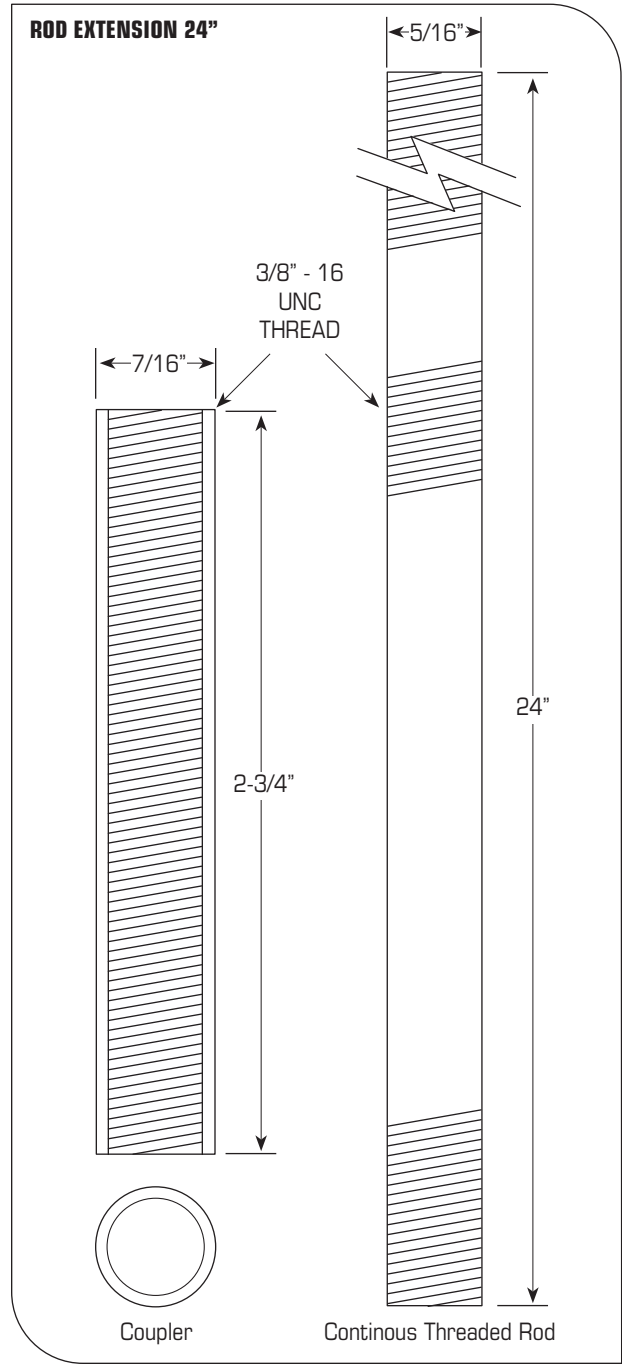
Quality & Value™

— Product Guide 105.0 — E:3

ED1000 Series Exit Device Components

ED1000 SERIES PARTS

Parts	Part Number
Extension Rods	
12" Extension Rod	ED10CVER-12
24" Extension Rod	ED10CVER-24
Rim Cylinder Pads	
Rim Cylinder Pad / Escutcheon	EDCES



GENERAL LOCK

Quality & Value™

Exit Devices

How to Order - Nomenclature

ED 2300 R-F 689 36

LENGTH

36" = For 36" (2300 Series only)
48" = For 48" (2300 Series only)

FINISH

313 = Dark Bronze (1000 Series only)
628 = Satin Aluminum (1000 Series only)
689 = Sprayed Aluminum (2300 Series only)
695 = Sprayed Duronodic (2300 Series only)

EXIT USE / HANDING

P = Panic (2300 Series only)
F = Fire (2300 Series only)
LHR = Left Hand - Reverse Bevel (1000 Series Rim only)
RHR = Right Hand - Reverse Bevel (1000 Series Rim only)

MOUNTING APPLICATION

R = Rim
V = Vertical Rod (2300 Series only)
CV = Concealed Vertical Rod (1000 Series only)

STYLE

1048 = 1000 Series
2300 = 2300 Series

TYPE

ED = Exit Device

Note: Not all exit device types are available in all lengths and finishes.