

GENERAL LOCK

— DOOR CLOSERS —

INDEX:

C9000 Series Surface Door Closer

Applications	D:1
Standard Features	D:1
Arms and Plates	D:1
Technical Dimensions	D:2
Selection Chart	D:2
Optional Accessories	D:2

C7000 Series Surface Door Closer

Applications	D:3
Standard Features	D:3
Covers, Arms, and Plates	D:3
Technical Dimensions	D:4
Selection Chart	D:4
Optional Accessories	D:4

C5000 Series Door Closer

Applications	D:5
Standard Features	D:5
Covers, Arms, and Plates	D:5
Technical Dimensions	D:6
Selection Chart	D:6
Optional Accessories	D:6

C3000 Series Door Closer

Applications	D:7
Standard Features	D:7

C3600 Series Concealed Door Closer

Applications	D:9
Standard Features	D:9

How to Order - Nomenclature

Door Closers	D:8
--------------------	-----

TERMS AND CONDITIONS:

Copyright: © 2011 General Lock LLC. All text, graphics, photographs, and any selection, coordination, and arrangement of such materials contained herein is copyrighted and owned by General Lock. No material from this catalog may be copied, reproduced, republished, uploaded, posted, transmitted, or distributed in any way unless permission has been expressly granted by General Lock and any reproduction of this catalog, in whole or in part, and/or any information or materials contained in it is prohibited without the express authorization of General Lock. General Lock is a trademark or registered trademark of General Lock. ANY MATERIALS OR INFORMATION PROVIDED BY GENERAL LOCK IN THIS CATALOG IS PROVIDED "AS IS" WITHOUT WARRANTY OF ANY KIND, EITHER EXPRESSED OR IMPLIED, INCLUDING, BUT NOT LIMITED TO, THE IMPLIED WARRANTIES OF MERCHANTABILITY, FITNESS FOR A PARTICULAR PURPOSE, OR NON-INFRINGEMENT. GENERAL LOCK ASSUMES NO RESPONSIBILITY FOR ERRORS OR OMISSIONS IN THIS CATALOG, OR OTHER PUBLICATION OR OTHER DOCUMENTS, WHICH ARE REFERENCED BY THIS PUBLICATION.

All other brand names or product names, including Arrow, Best, Corbin-Russwin, Falcon, Kwikset, KSP, Sargent, Schlage, Weiser, and Yale, referenced herein are trademarks, registered trademarks, service marks, or trade names of the respective manufacturers of such products and are owned by their respective holders.

General Lock reserves the right to make changes in designs and specifications, to make addition or improvements on its products or to discontinue products without incurring any obligation. General Lock is not responsible for modification, addition or alteration to our products by others. Products may not appear as shown.

General Lock warrants only to Buyer that the products will be free from defects in material and workmanship for a period of 12 months from the date of shipment of the products unless a longer period is specified. This warranty does not cover wear and tear and shall be ineffective and shall not apply to products that have been subjected to misuse or abuse, neglect, accident, damage, or improper installation, or maintenance. Buyer's sole and exclusive remedy under these warranties will be limited to, at General Lock's sole option and expense, refund of the purchase price of, or the repair or replacement for of, the products or parts thereof which General Lock reasonably determines do not conform with these warranties. Buyer will inspect the products upon delivery and will promptly notify General Lock in writing of any defect in the products.

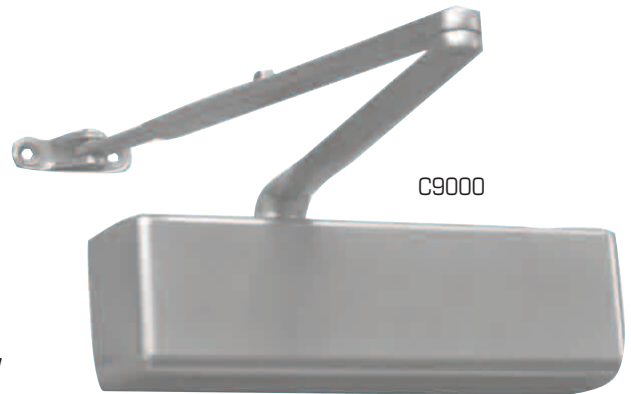
DISCLAIMER OF WARRANTIES: THE FOREGOING WARRANTIES ARE EXCLUSIVE AND IN LIEU OF, AND GENERAL LOCK DISCLAIMS AND BUYER WAIVES, ALL OTHER WARRANTIES OF MERCHANTABILITY, FITNESS FOR A PARTICULAR PURPOSE AND OF ANY OTHER TYPE, WHETHER EXPRESS OR IMPLIED, ARISING BY LAW (STATUTORY OR OTHERWISE) AND WHETHER OR NOT OCCASIONED BY GENERAL LOCK'S NEGLIGENCE.

LIMITATION OF LIABILITY: IN NO EVENT SHALL GENERAL LOCK BE LIABLE FOR ANY SPECIAL, INCIDENTAL, INDIRECT, PUNITIVE, OR CONSEQUENTIAL DAMAGES, INCLUDING ANY DAMAGES OCCASIONED BY GENERAL LOCK'S NEGLIGENCE. IN ADDITION, GENERAL LOCK'S LIABILITY ON ANY CLAIMS FOR DAMAGES OR CLAIMS ARISING OUT OF OR CONNECTED WITH THIS AGREEMENT OR THE SALE, DELIVERY OR USE OF THE PRODUCTS SHALL NOT EXCEED THE PURCHASE PRICE OF THE PRODUCTS AND/OR SERVICES DELIVERED.

C9000 Series Door Closer

APPLICATIONS:

Suitable for high-traffic doors in office buildings, hospitals, schools, hotels, restaurants, nursing homes, apartments, and retail complexes. The 9000 Series surface closer has a heavy-duty cast iron body and forged steel arms, and is ideal for institutional and other heavy-use applications. The 9000 Series offers a high-quality alternative to other cast iron closers, comes in two finishes, and optional drop plates allow for installation in any situation. The C9016 comes with a 25-year warranty, one of the best in the industry. The C9016 is your best choice for high-traffic areas where rugged durability is the solution for superior door control.



STANDARD FEATURES:

CERTIFICATIONS: ANSI 156.4 Grade 1, UL Listed and UL 10C, Meets ADA requirements when adjusted to size 1



SIZES: Adjustable 1-6

HANDING: Non-handed for regular top-jamb and parallel arm installations

ARMS: Standard tri-packed for regular arm, top jamb and parallel arm application

COVERS: Full cover standard

ADJUSTING: Standard sweep, latching and backcheck valves

MATERIALS: Cast iron body, forged steel arm
Closer fluid non-gumming and non-freezing

MOUNTING HARDWARE: Wood and machine screws; sex nuts and bolts

CASE QTY: 4

WARRANTY: 25-year warranty

ARMS AND PLATES:

9016-DP Drop plate for the 9000 Series closer

9016-DP PA Parallel arm drop plate for 9000 series closer

9016-H Friction hold-open arm for the 9000 Series closer

9016-MH Mechanical hold - open arm with turn and stop for the 9000 series closer

GENERAL LOCK

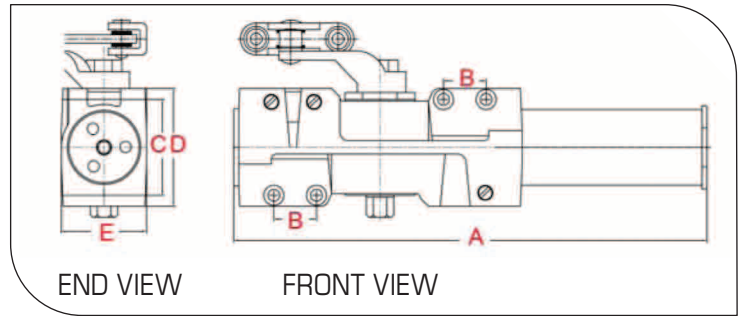
Quality & Value™

— Product Guide 105.0 — D:1

C9000 Series Door Closer

TECHNICAL DIMENSIONS:

Description	Dimensions
A. Length of Closer Body	11" (280 mm)
B. Horizontal Mounting Holes	1" (25.4 mm)
C. Vertical Mounting Holes	2/1/4" (57 mm)
D. Closer Body Height	2-3/4" (70 mm)
E. Projection from Door	2" (51 mm)



SELECTION CHART:

Maximum Size of Door							
Closer Size	Regular & Top Jamb			Parallel Arm			Applicable Door Weight Lbs (Kg)
	Interior	Exterior Inswing	Exterior outswinging	Interior	Exterior Outswinging		
1	28" (0.71m)			1			33-66 (15-30)
2	36" (0.91 m)			2	30" (0.76m)		66-99 (30-45)
3	42" (1.07 m)	30" (0.76m)	36" (0.91m)	3	36" (0.91m)	30" (0.76m)	99-143 (45-65)
4	48" (1.22 m)	36" (0.91m)	42" (1.07m)	4	42" (1.07m)	36" (0.91m)	143-187 (65-85)
5	54" (1.37 m)	42" (1.07m)	48" (1.22m)	5	48" (1.22m)	42" (1.07m)	187-264 (85-120)
6	60" (1.52 m)	48" (1.22m)	54" (1.37m)	6	54" (1.37m)	48" (1.22m)	264-330 (120-150)

ARMS AND PLATES:



Drop plate for the 9000 Series closer 9016-DP



Parallel arm drop plate for 9000 series closer 9016-DP PA



Parallel Arm Bracket



Friction hold-open arm for the 9000 Series closer 9016-H



Mechanical hold - open arm with turn and stop for the 9000 series closer 9016-MH

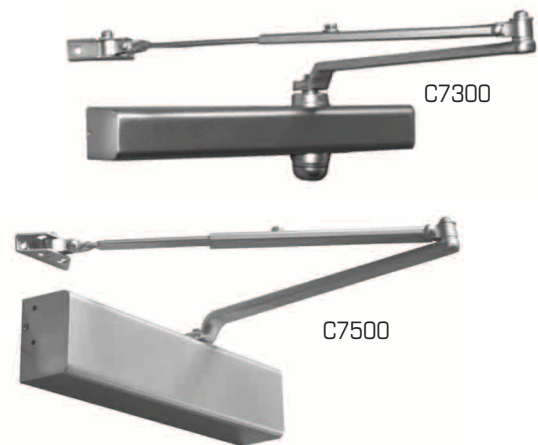
GENERAL LOCK

Quality & Value™

C7000 Series Door Closer

APPLICATIONS:

Suitable for moderate to heavy-traffic doors in office buildings, hospitals, schools, hotels, restaurants, nursing homes, apartments, and retail complexes. Shipped with closer body, slim-line (C73) or full (C75) cover, slider-type arm, parallel arm bracket, wood screws, machine screws, sex nuts and bolts, and parallel arm shoe. Non-handed for standard, top-jamb and parallel arm installations. Sweeping and latching speeds are controlled by separate, adjustable regulating valves to provide consistent closing speed. Needle bearing application for smooth operation. Adjustable backcheck standard.



STANDARD FEATURES:

CERTIFICATIONS: ANSI 156.4 Grade 1, UL Listed and UL 10C, Meets ADA requirements when adjusted to size 1



SIZES: Adjustable 1-6

HANDING: Non-handed for regular top-jamb and parallel arm installations

ARMS: Standard tri-packed for regular arm, top jamb and parallel arm application

COVERS: Full cover standard for C7500
Slim cover standard for C7300

ADJUSTING: Standard sweep, latching and backcheck valves

MATERIALS: Cast aluminum body, forged steel arm
Closer fluid non-gumming and non-freezing

MOUNTING HARDWARE: Wood and machine screws; sex nuts and bolts

CASE QTY: 4

WARRANTY: 10

COVERS, ARMS, AND PLATES:

7000-H Friction hold-open arm for the 7000 Series closer

7000-DP Drop plate for the 7000 Series closer

GENERAL LOCK

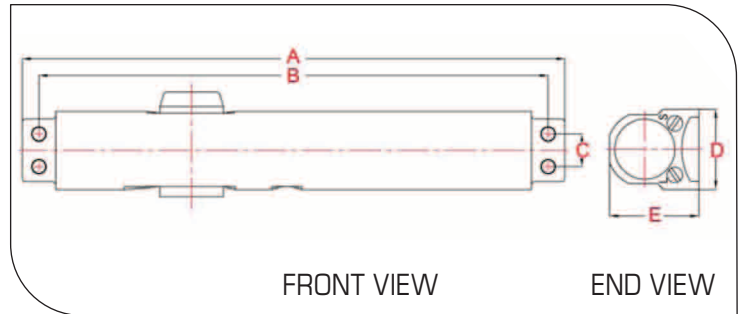
Quality & Value™

— Product Guide 105.0 — D:3

C7000 Series Door Closer

TECHNICAL DIMENSIONS:

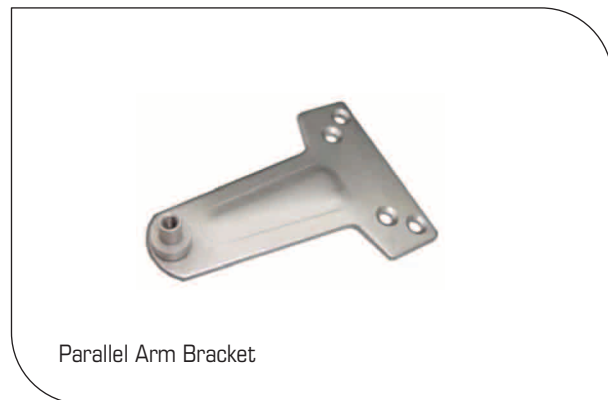
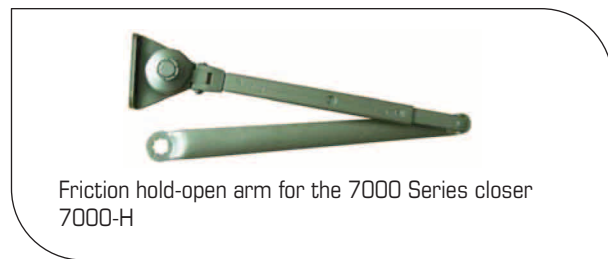
Description	Dimensions
A. Length of Closer Body	12-3/4" (324 mm)
B. Horizontal Mounting Holes	12" (304.8 mm)
C. Vertical Mounting Holes	3/4" (19mm)
D. Closer Body Height	1-3/4" (45mm)
E. Projection from Door	2-3/16" (56mm)



SELECTION CHART:

Maximum Size of Door							
Regular & Top Jamb				Parallel Arm			
Closer Size	Interior	Exterior Inswing	Exterior outswinging	Closer Size	Interior	Exterior Outswinging	Applicable Door Weight Lbs (Kg)
1	28" (0.71m)			1			33-66 (15-30)
2	36" (0.91 m)			2	30" (0.76m)		66-99 (30-45)
3	42" (1.07 m)	30" (0.76m)	36" (0.91m)	3	36" (0.91m)	30" (0.76m)	99-143 (45-65)
4	48" (1.22 m)	36" (0.91m)	42" (1.07m)	4	42" (1.07m)	36" (0.91m)	143-187 (65-85)
5	54" (1.37 m)	42" (1.07m)	48" (1.22m)	5	48" (1.22m)	42" (1.07m)	178-264 (85-120)
6	60" (1.52 m)	48" (1.22m)	54" (1.37m)	6	54" (1.37m)	48" (1.22m)	264-330 (120-150)

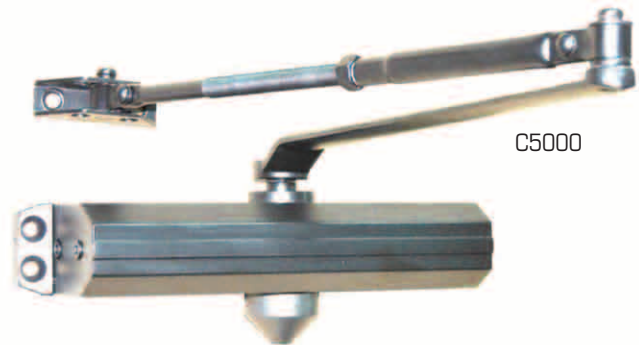
COVERS, ARMS AND PLATES:



C5000 Series Door Closer

APPLICATIONS:

Suitable for light to moderate-traffic doors found in apartments and retail complexes, offices, condominiums, restaurants, and retirement communities. This economical closer retrofits into many popular hole patterns and includes standard features such as: sex nuts and bolts, tri-packed arms, and backcheck. Available in aluminum and duronodic finishes, and two adjustable sizes (1-4, 3-6).



C5000

STANDARD FEATURES:

CERTIFICATIONS: ANSI 156.4 Grade 1, UL Listed and UL 10C, Meets ADA requirements when adjusted to size 1



SIZES: C5014 adjustable 1-4
C5036 adjustable 3-6"

HANDING: Non-handed for regular top-jamb and parallel arm installations

ARMS: Standard tri-packed for regular arm, top jamb and parallel arm application

ADJUSTING: Standard sweep, latching and backcheck valves"

MATERIALS: Cast aluminum body, forged steel arm Closer fluid non-gumming and non-freezing

MOUNTING HARDWARE: Wood and machine screws; sex nuts and bolts

CASE QTY: 10

WARRANTY: 5-year warranty

COVERS, ARMS, AND PLATES:

5000-C	Cover for the 5000 Series closer
5000-H	Friction hold-open arm for the 5000 Series closer
5000-DP	Drop plate for the 5000 Series closer

GENERAL LOCK

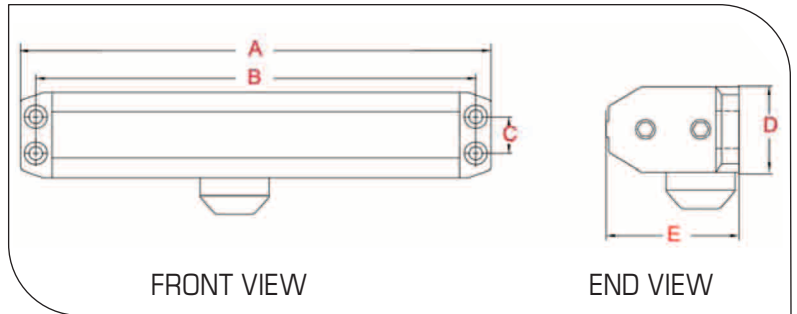
Quality & Value™

— Product Guide 105.0 — D:5

C5000 Series Door Closer

TECHNICAL DIMENSIONS:

Description	Dimensions
A. Length of Closer Body	9-3/4" (248mm)
B. Horizontal Mounting Holes	9-1/16" (230mm)
C. Vertical Mounting Holes	3/4" (19mm)
D. Closer Body Height	1-13/16" (46mm)
E. Projection from Door	2-3/4" (70mm)



SELECTION CHART:

Maximum Size of Door							
Regular & Top Jamb				Parallel Arm			
Closer Size	Interior	Exterior Inswing	Exterior outswinging	Closer Size	Interior	Exterior Outswinging	Applicable Door Weight Lbs (Kg)
1	28" (0.71m)			1			33-66 (15-30)
2	36" (0.91 m)			2	30" (0.76m)		66-99 (30-45)
3	42" (1.07 m)	30" (0.76m)	36" (0.91m)	3	36" (0.91m)	30" (0.76m)	99-143 (45-65)
4	48" (1.22 m)	36" (0.91m)	42" (1.07m)	4	42" (1.07m)	36" (0.91m)	143-187 (65-85)
5	54" (1.37 m)	42" (1.07m)	48" (1.22m)	5	48" (1.22m)	42" (1.07m)	178-264 (85-120)
6	60" (1.52 m)	48" (1.22m)	54" (1.37m)	6	54" (1.37m)	48" (1.22m)	264-330 (120-150)

COVERS, ARMS AND PLATES:



C3000 Series Adjustable Back-Check Door Closer

APPLICATIONS:

With a compact design suitable for openings with light to moderate traffic. These closers are ideal for use in apartments, offices, restaurants, and retirement homes. Among other amenities, the 3, 4, and 5 sized closers come with backcheck as a standard feature. Quick and easy installation makes the C3000 Series a great value choice for many applications.



STANDARD FEATURES:

CERTIFICATIONS: ANSI 156.4 Grade 1 (C3005, C3004), Grade 2 (C3003, C3002), Grade 3 (C3001); UL Listed and UL 10C; Meets ADA requirements when adjusted to size 1 (C3001),



SIZES: Closers are factory set to individual sizes: 1, 2, 3, 4, 5

HANDING: Non-handed for regular top-jamb and parallel arm installations

ARMS: Standard tri-packed for regular arm, top jamb and parallel arm application"

ADJUSTING: Standard sweep and latching

MATERIALS: Cast aluminum body Closer fluid non-gumming and non-freezing"

MOUNTING HARDWARE: Wood and machine screws

CASE QTY: 10

WARRANTY: 5-year warranty

GENERAL LOCK

Quality & Value™

— Product Guide 105.0 — D:7

C3600 Series Overhead Concealed Door Closer

APPLICATIONS:

For use in applications where the door speed needs to be controlled, without detracting from the aesthetics of the opening. With a cast iron body and built in pressure release valve to protect the closer from rough use, the C3600 series is built to absorb the demands of day to day use.



C3600

STANDARD FEATURES:

HANDING: Non-handed, center hung

ARMS: Side load arm and pivot set included

ADJUSTING: Standard sweep and latching

MATERIALS: Cast iron body, hardened steel internal springs Closer fluid non-gumming and non-freezing

MOUNTING HARDWARE: Mounting kit included

SPRING POWER: Medium

HOLD-OPEN: Available in 90° or 105°

NON HOLD-OPEN: Available in 90° or 105°

CASE QTY: 4

WARRANTY: 10-year warranty

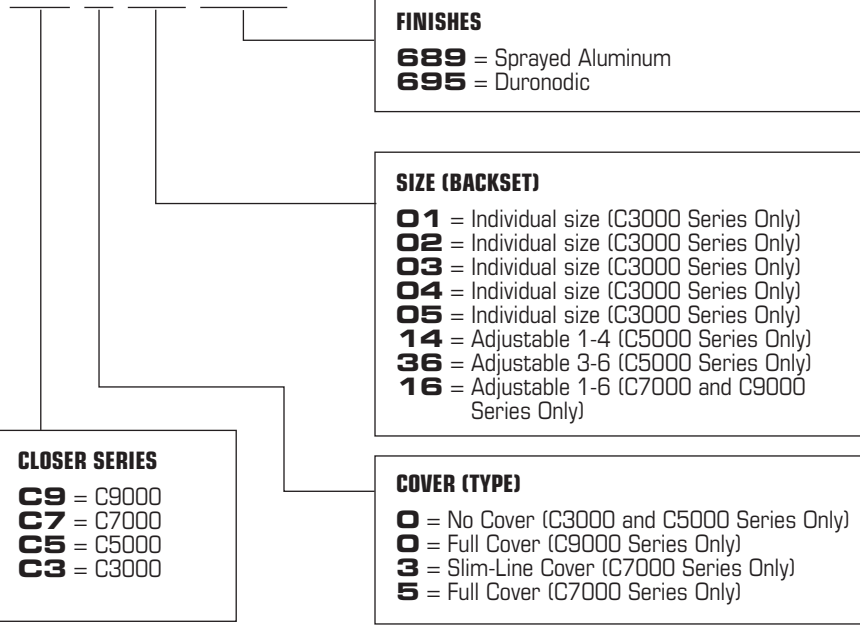
GENERAL LOCK

Quality & Value™

Door Closers. Surface Mounted

How to Order - Nomenclature

C9 0 16 689



CLOSER SERIES
C9 = C9000
C7 = C7000
C5 = C5000
C3 = C3000

FINISHES
689 = Sprayed Aluminum
695 = Duronodic

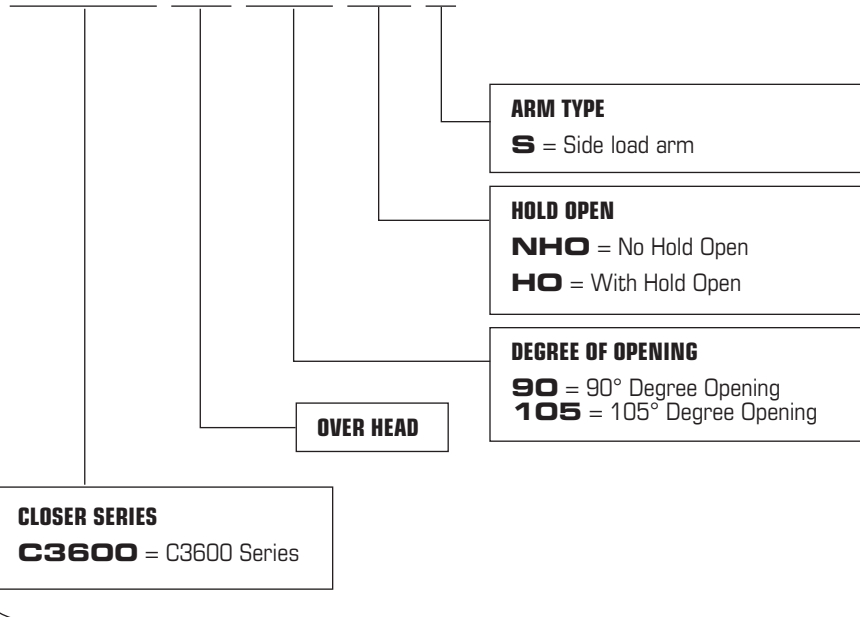
SIZE (BACKSET)
01 = Individual size (C3000 Series Only)
02 = Individual size (C3000 Series Only)
03 = Individual size (C3000 Series Only)
04 = Individual size (C3000 Series Only)
05 = Individual size (C3000 Series Only)
14 = Adjustable 1-4 (C5000 Series Only)
36 = Adjustable 3-6 (C5000 Series Only)
16 = Adjustable 1-6 (C7000 and C9000 Series Only)

COVER (TYPE)
0 = No Cover (C3000 and C5000 Series Only)
0 = Full Cover (C9000 Series Only)
3 = Slim-Line Cover (C7000 Series Only)
5 = Full Cover (C7000 Series Only)

Door Closers. Overhead Concealed

How to Order - Nomenclature

C3600 OH 105 HO S



CLOSER SERIES
C3600 = C3600 Series

ARM TYPE
S = Side load arm

HOLD OPEN
NHO = No Hold Open
HO = With Hold Open

DEGREE OF OPENING
90 = 90° Degree Opening
105 = 105° Degree Opening

OVER HEAD